



Super G[®]

Gyro Stabilized Aerial Camera System

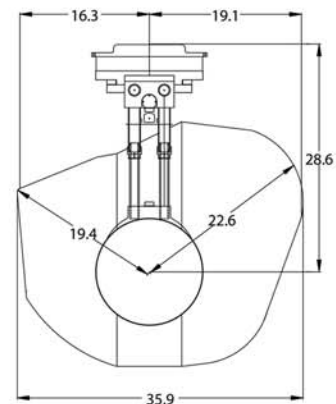
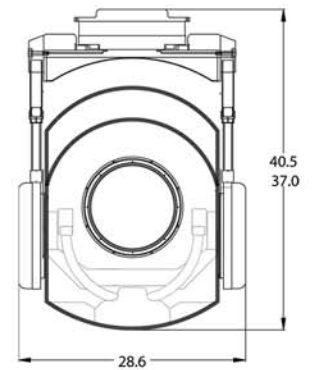


- 120 knot flight speed
- Fully stable image at the end of a 1440mm lens
- Steerable stabilized roll axis
- Silent in operation
- Stabilizes any camera or payload
- MoCo metadata output while fully stabilized

Any Camera, Platform or Shot

System Specifications

- Gyro-Stabilization 5-axis high bandwidth full stabilization Type 'A'
stability to the low micro-radian range
- Operational Ranges
 - Pan 360° continuous □ 120°/sec.
 - Tilt 123° (+45°-78°) OR (+33° -90°) □ 60°/sec.
 - Roll +/- 50° Steerable or Auto-Level □ 60°/sec.
- System Orientation Suspended or Sitting
- Environmental -22°F to 120°F (-30°C to 45°C) Sealed for Rain
- Max. Payload Wt./Size 130 Lbs. (59Kg.) / 12.25"W x 18"H x 36"L (31.1 x 45.7 x 91.4cm)
- Head/System Weight 150 Lbs (68 Kg.) / 170 Lbs (77 Kg.) w/o Helo Isolator, Covers, or Camera
- Flight Weight eg. 236 Lbs (107.3 Kg.) w/ Arri 435, 1000'Mag, Preston Kit, Covers and Helo Isolator
- Power Requirements 24-28 VDC (85 watts standby, 420 watts dynamic max)
- Target Tracking Automatic
- Back Pan Automatic/Selectable
- Noise Level Silent
- MoCo Metadata 16 bit, 65,536 locations @ 360 Deg, 5 axis position output
- Max Flight Speed 120 knts



Cameras Accepted

- Wired to accept entire product line of: Panavision, Arriflex, Moviecam, Imax MSM Iwerks 870 & 1570, Mitchell R35 MkII, Paramount Vistavision (call for others)
- All HI-DEF and broadcast video cameras
- Entire range of today's most sophisticated lenses

6910 Tujunga Ave. North Hollywood CA 91605
 818-623-1661 Fax: 818-623-1671
www.CameraSystems.com

Applications: Helicopters □ Cable-Rigs □ Planes
 Camera-Cars □ Cranes □ Boats