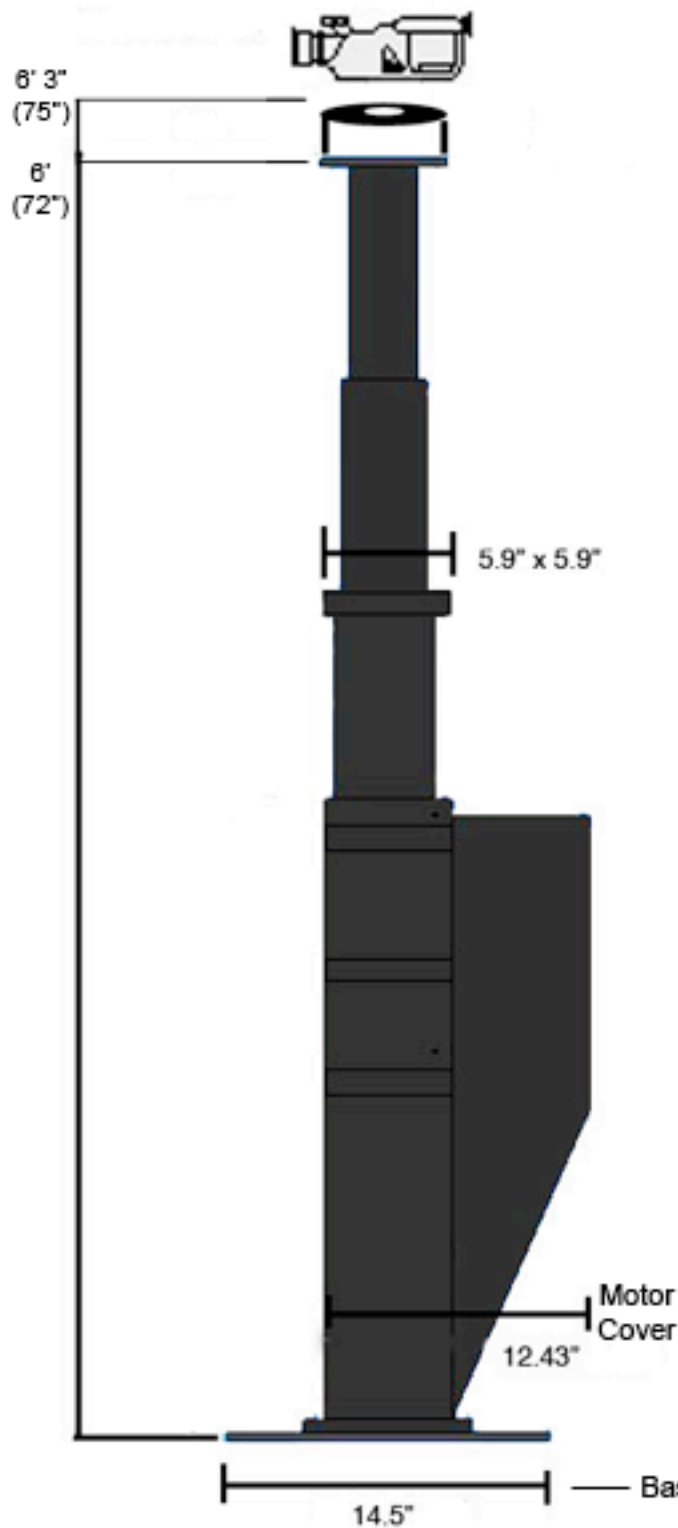
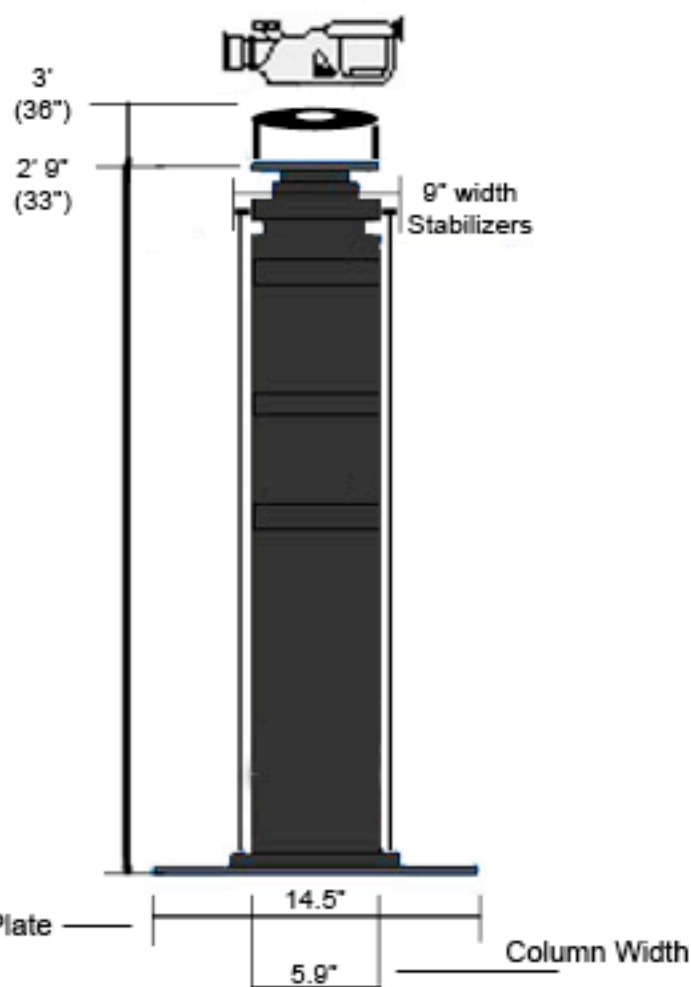


Up Position



Down Position



SIDE VIEW

FRONT VIEW

NOTE: Mitchell mount measurements
Plate is 6.25" Square, Mitchell mount is 7" diameter circle
Mount is 3" tall