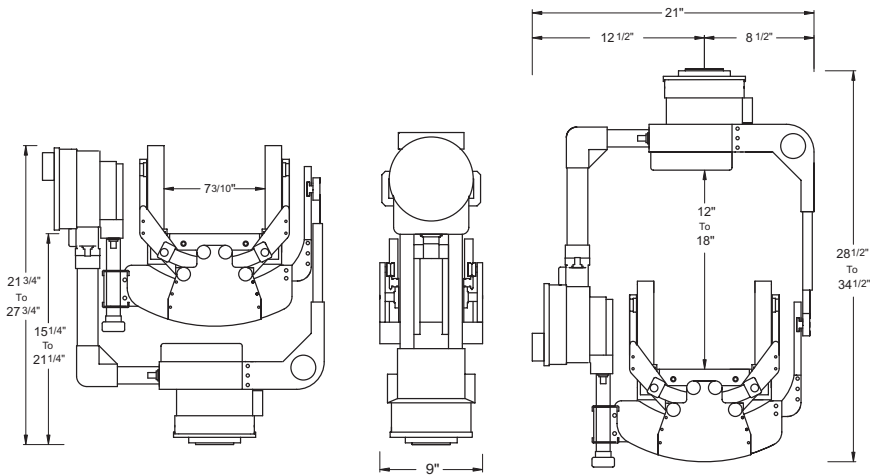


MINI-C MINIATURE STABILIZED HEAD



Features

- Fully stable image at the end of a 250 mm film lens
- Stabilized, steerable roll axis
- Wireless capable
- Can point straight down
- Dutch-tilt corrected steering

Applications

- Track Systems
- Cable Rigs
- Fixed Cranes
- Telescopic Cranes
- Camera Cars

Technical Specs

Head Axes

Pan: 360° continuous, 0-120°/sec.

Tilt: 123° (+45°-78°) or (+33° -90°), 0-60°/sec.

Roll: +/- 10° Steerable or Horizon Level, 0-60°/sec.

Head Weight

53 Lbs.

Max. Camera Weight

75 Lbs.

Stabilization Specs

5-axis high bandwidth full stabilization

Backpan and target tracking: Automatic

Selectable amounts of stabilization as required

Standard: 250 mm film lens completely stabilized

Head Control

Wheels, joystick

Environmental

-22° F to 120° F

Sealed for rain, snow, mud etc.

Power Requirements

24-28 VDC (3A standby, 15A max)
Generator, battery, AC

Setup Time

45 minutes

Technician Required

Yes

Cameras Accepted

Arricam, Arri 235, Aaton, ENG Video,
Moviemax SL, HI-DEF; (camera width
less than 7 1/4") Call for others

Wireless

3rd party Microwave, RF

Lens Control

Preston FI+Z